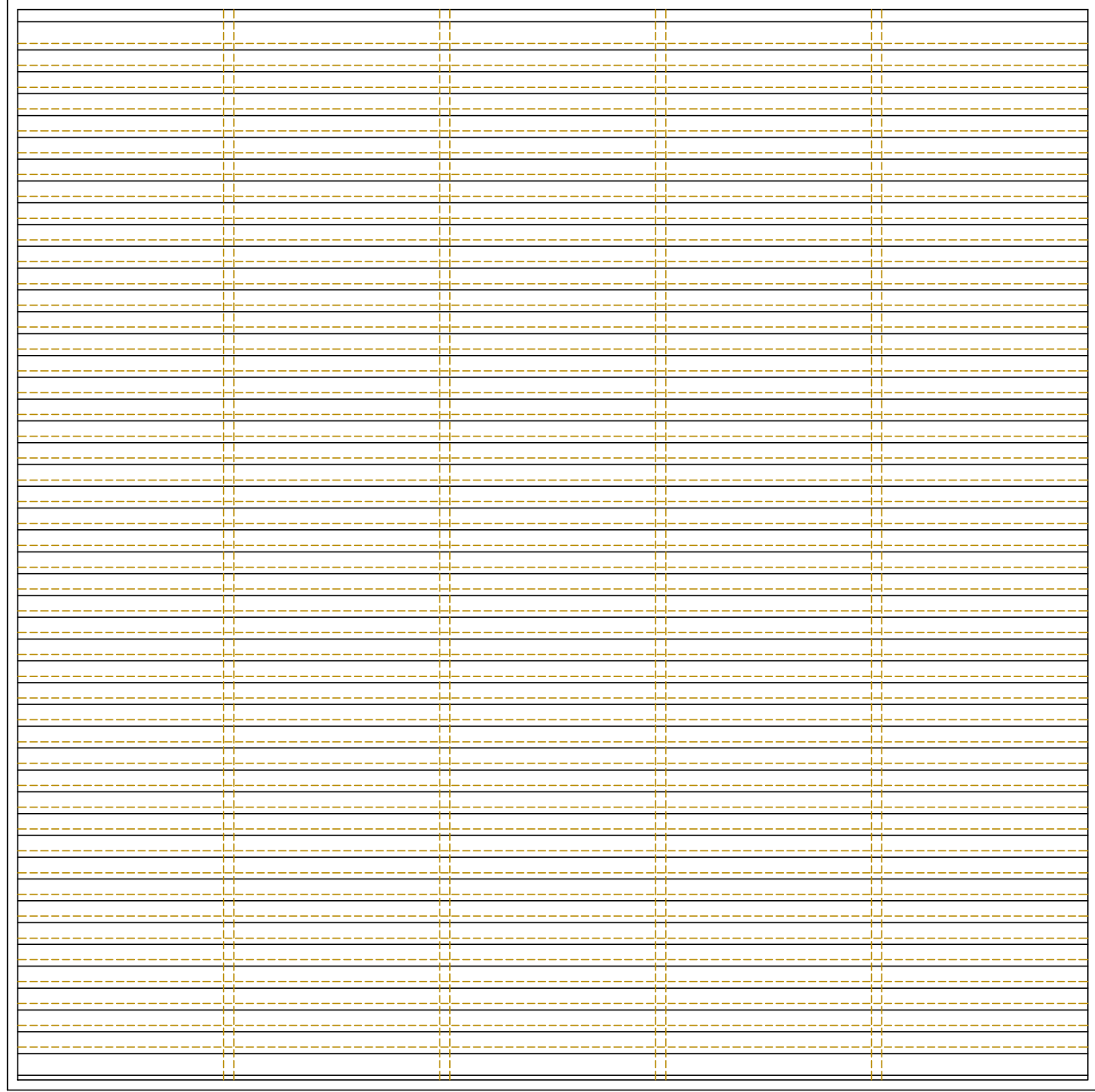


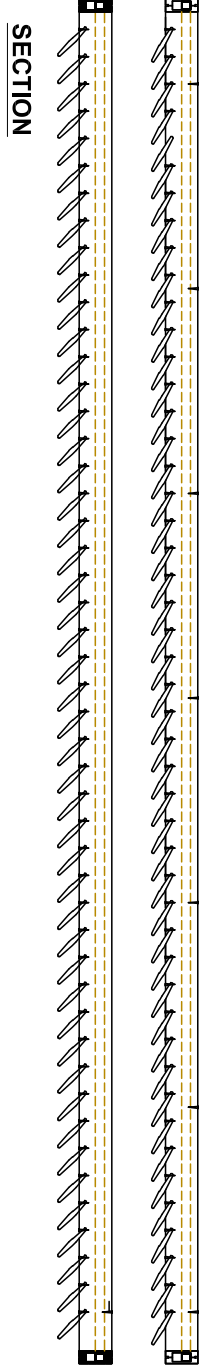
3000.0



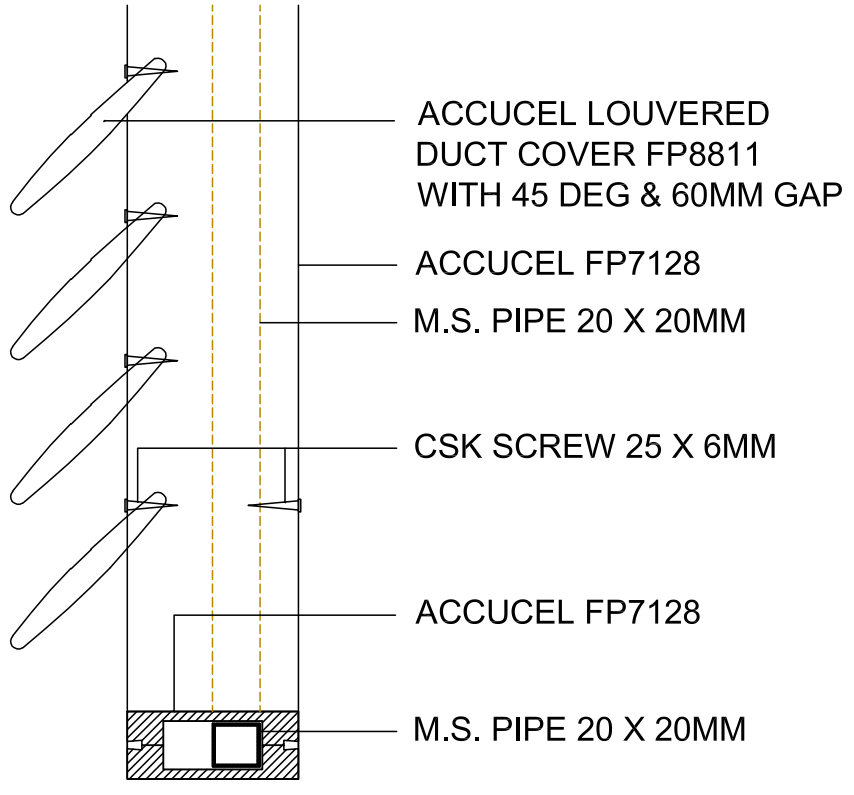
3000.0

SECTION

VERTICAL LOUVERED DUCT COVER ELEVATION

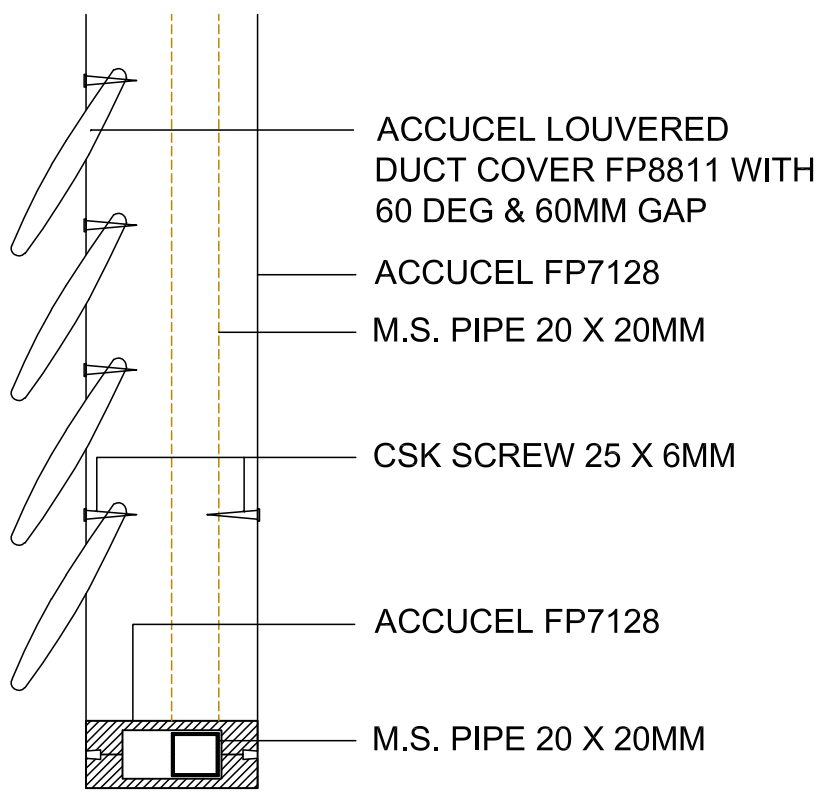


SECTION



SECTION

- ACCUCEL LOUVERED DUCT COVER FP8811 WITH 45 DEG & 60MM GAP
- ACCUCEL FP7128
- M.S. PIPE 20 X 20MM
- CSK SCREW 25 X 6MM
- ACCUCEL FP7128
- M.S. PIPE 20 X 20MM



SECTION

- ACCUCEL LOUVERED DUCT COVER FP8811 WITH 60 DEG & 60MM GAP
- ACCUCEL FP7128
- M.S. PIPE 20 X 20MM
- CSK SCREW 25 X 6MM
- ACCUCEL FP7128
- M.S. PIPE 20 X 20MM

ACCUCEL DUCT COVER

SCALE : N.T.S
 DATE : 06.11.2012

DRAWN BY :
 CHECKED BY :

DRG. NO.
D1

NOTES :
 @ ALL DIMENSIONS ARE TO BE READ AND NOT MEASURED
 @ ALL DIMENSIONS ARE IN MM

ACCURA POLYTECH PVT.LTD.
 Ph : +91(079)-26630154, Fax : +91(079)-26633668
 E-Mail : accucel@gmail.com
 web : www.accurapolytech.com

ACCUCEL
 THE ENVIRONMENT FRIENDLY ALTERNATIVE